



## Shop Item Information

Send item information

[» Show item in shop](#)

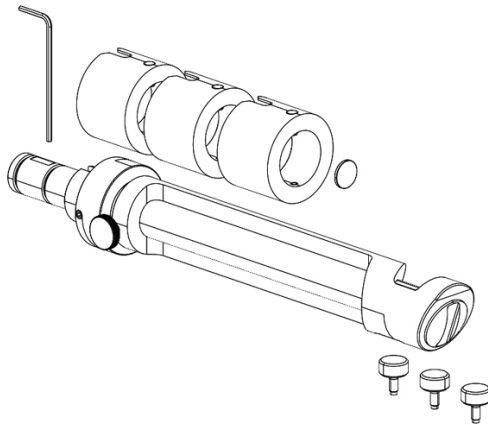
Add item to cart

### Transflectance adapter (Open Sleeve) for NIRFlex Fiber Optic Solids

#### Item Information

Item No. N512-006

Availability Available within 2 weeks



Probe adapter enables measurement of liquid samples. Special construction allows free access to the reflection plate. Includes spacers for 0.5, 1.0 and 1.5-mm pathlength.